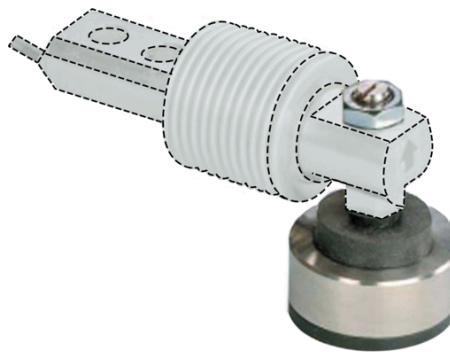


## General information

PVS17620191215

The LOAD FOOT mounting accessory is made of steel and rubber and works as a load cell foot.



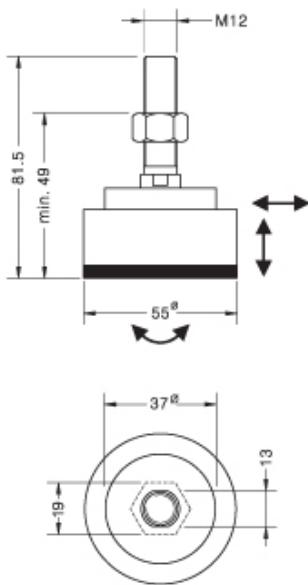
## Suggested related products

A highly performing weighing system must be accurate, perfectly calibrated and well maintained. In order to improve the load cell performance and to optimize its functioning, you may need the following products:

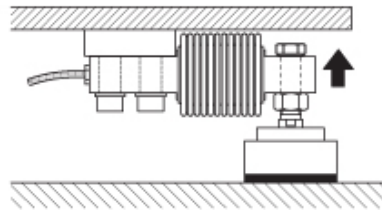
**Mounting kits** [MH MOUNTING KIT](#)

**Mounting kits** [MKX](#)®

All indicated data may be changed without notice.  
All the measures indicated are expressed in millimeters (mm).



Dimensions in mm.



All indicated data may be changed without notice.  
 All the measures indicated are expressed in millimeters (mm).