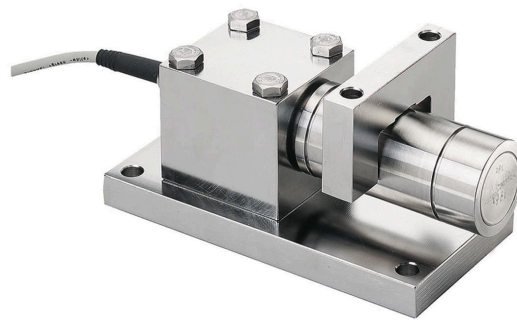


General information

PVS2220200812

The BLH NOBEL KIS 8 load cell is extremely accurate and rugged, it withstands very high lateral forces and it is easy to install. The KIS 8 cell has a moveable loading point and 5 and 10 meter 4-wire shielded cables. The BHL NOBEL KIS 8 has different applications: weighing and stocking systems (silos, bins, tanks), mixing and blending tanks, force measurement systems and conveyors. The BLH NOBEL KIS 8 load cell is also available for temperatures from -40 to +100°C and in ATEX version certified for use in explosive atmospheres.



Suggested related products

A highly performing weighing system must be accurate, perfectly calibrated and well maintained. In order to improve the load cell performance and to optimize its functioning, you may need the following products:

Weight Transmitter [UWT 6008](#)

Weight Transmitter [DAT 1400](#)

Weight Indicator [MCT 1302](#)

Tester 1008 [TESTER 1008](#)

Junction Box [CGS4-C](#)

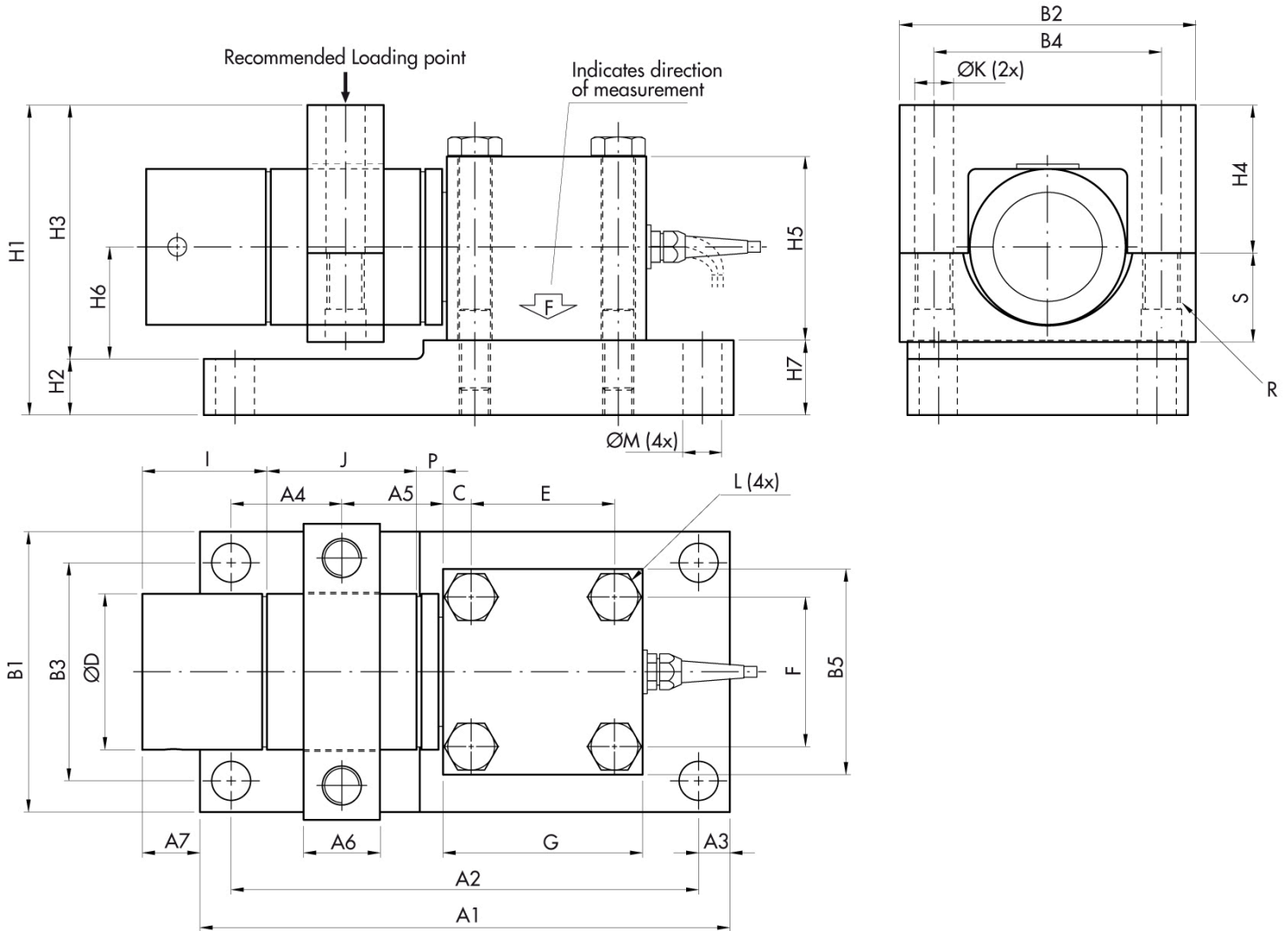
All indicated data may be changed without notice.
All the measures indicated are expressed in millimeters (mm).

Technical specifications

PVS2220200812

Rated load RL:	1, 2, 5, 10, 20, 50, 100, 200 kN
Combined error:	± 0.075 % RO
Repeatability:	± 0.02 % RO
Creep (30 minutes):	±0.03 % RL
Safe overload:	50 % RL
Ultimate overload:	100 % RL
Ultimate sideload:	100 % RL
Material:	Stainless steel
Degree of protection:	IP67
Temperature range:	- 40 ÷ + 80 (+ 100 optional) °C
Temperature effect on zero balance:	±0.003 % RO/°C
Temperature effect on output:	±0.003 % of output/°C
Rated output RO:	2.040 mV/V ± 0.25%
Zero balance:	±2 % RO
Insulation resistance:	> 4 G Ohm
Input resistance:	350 ±5 Ohm
Output resistance:	350 ±0.5 Ohm
Recommended input:	5 Vdc/ac
Maximum supply voltage:	18 Vdc/ca
Tolerance of shunt calibration values:	±0.25 %

All indicated data may be changed without notice.
 All the measures indicated are expressed in millimeters (mm).



RANGE kN	A1	A2	A3	A4	A5	A6	A7	B1	B2	B3	B4	B5	C	ØD	E	F	G	H1
1-2	175	151	12	31	31	20	-6	75	70	51	55	48	14	33	54	39	78	81
5-10-20	204	180	12	32	50	20	21	100	100	76	75	73	12	50	56	53	79	107.5
50	280	245	17.5	46.5	65	30	21	150	150	115	115	97	14	75	72	72	97	152
100	310	270	20	63	65	39	22	170	160	130	126	118	15	90	78	88	108	173
200	340	300	20	71	65	49	37	180	190	140	146	132	16	100	92	96	128	199

RANGE kN	H2	H3	H4	H5	H6	H7	I	J	ØK	L	ØM	P	C.Clip (2x)	R	S
1-2	14	67	41	48	27.5	14	22	30	8.5	M6x80	11	16	32x1.5	M8	19
5-10-20	18	89.5	54	68	38.5	18	26.5	77	11	M10x80	12	11.5	50x2	M10	27
50	28	124	72	94	54.5	28	36	98	18	M12x110	15	17	75x2.5	M16	43
100	28	145	85	108	65	38	57	96	22	M16x140	22	17	90x3	M20	50

All indicated data may be changed without notice.

All the measures indicated are in millimeters (mm).