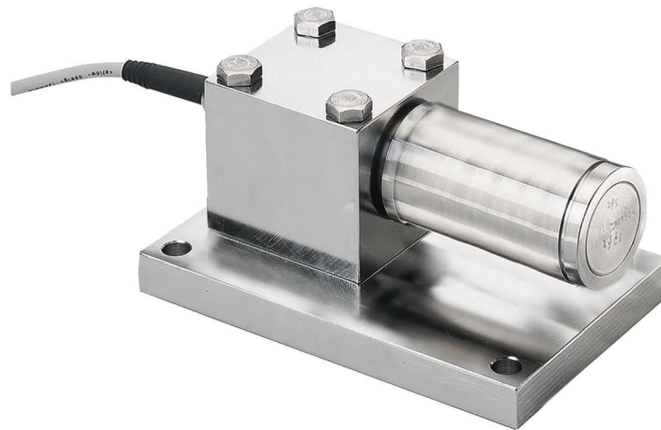


## General information

PVS2520191113

The BHL NOBEL KIM-1 load cell is extremely precise and robust, it is resistant to very high lateral forces, it has a moveable loading point and it is easy to install. The KIM-1 load cell is used in weighing / stocking systems (silos, bins, tanks), in mixing tanks, blending and dissoluble reactors, in force measurement systems and in conveyor belts. The KIM-1 load cell is also supplied with a shielded cable with 4 conductors and the length of 10 mt for electric connections.



## Suggested related products

A highly performing weighing system must be accurate, perfectly calibrated and well maintained. In order to improve the load cell performance and to optimize its functioning, you may need the following products:

**Weight Transmitter** [UWT 6008](#)

**Weight Transmitter** [DAT 1400](#)

**Weight Indicator** [MCT 1302](#)

**Tester 1008** [TESTER 1008](#)

**Junction Box** [CGS4-C](#)

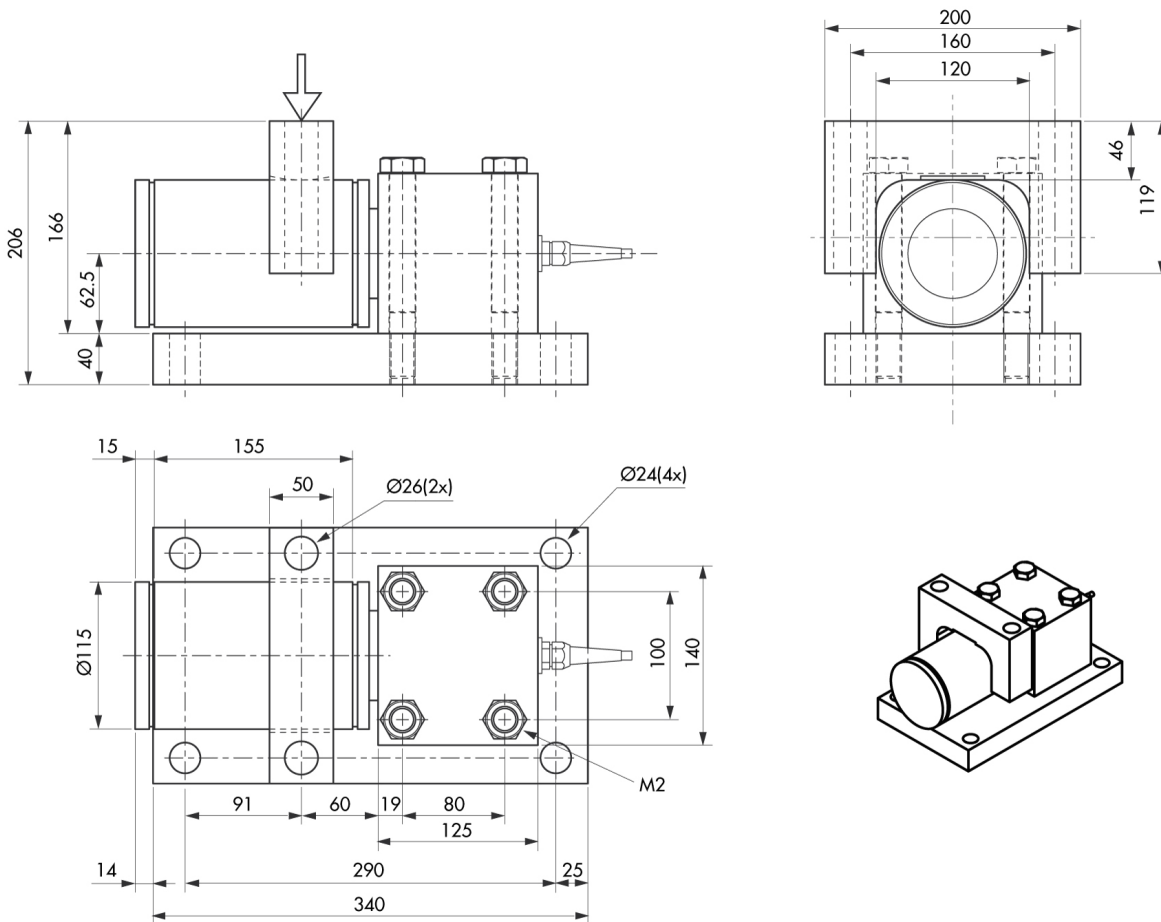
All indicated data may be changed without notice.  
All the measures indicated are expressed in millimeters (mm).

## Technical specifications

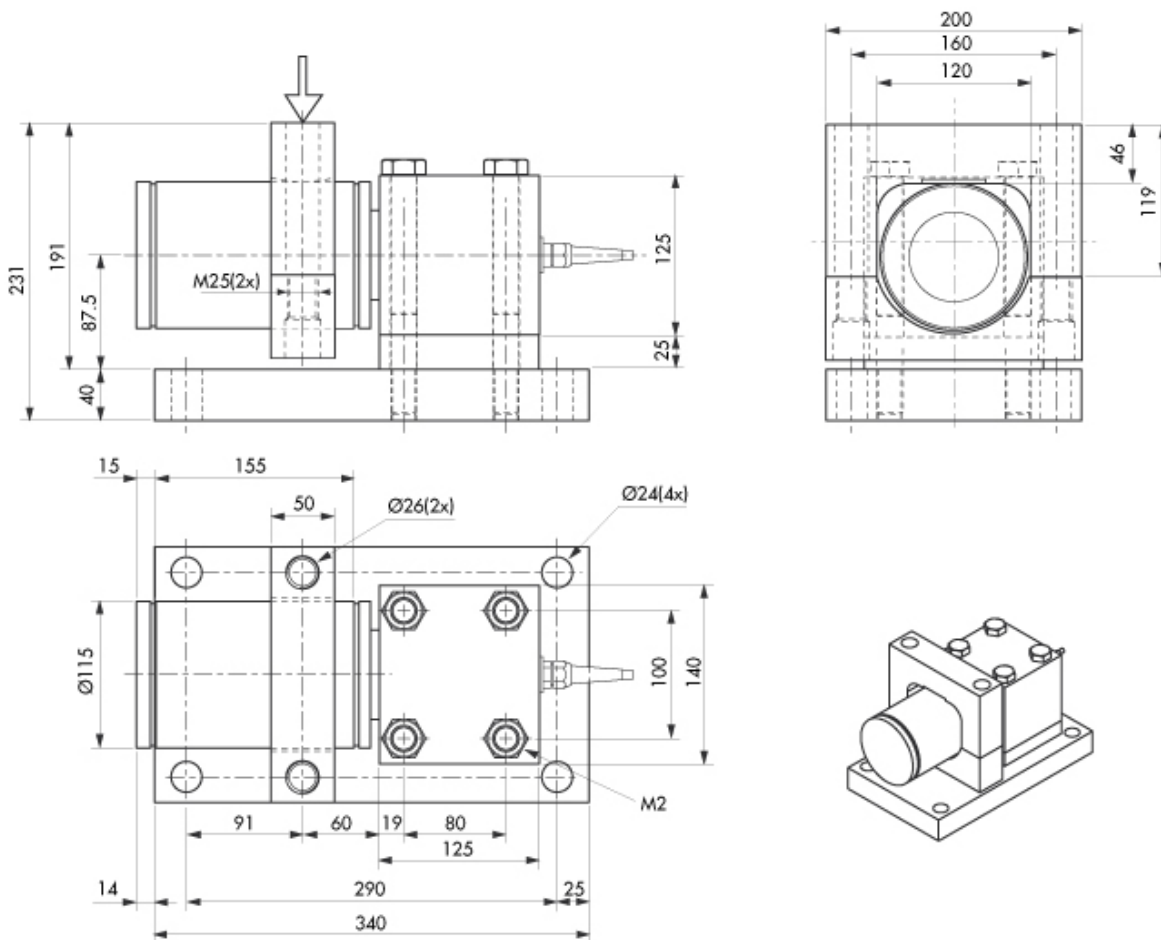
PVS2520191113

<b>Rated load RL:</b>	200 kN
<b>Combined error:</b>	±0.1 % RL
<b>Repeatability:</b>	0.02 % RL
<b>Creep (30 minutes):</b>	±0.03 % RL
<b>Safe overload:</b>	50 % RL
<b>Ultimate overload:</b>	100 % RL
<b>Ultimate sideload:</b>	100 % RL
<b>Degree of protection:</b>	IP67
<b>Deflection:</b>	0.1 - 0.3 mm
<b>Temperature range:</b>	-40 ÷ +100 °C
<b>Temperature effect on zero balance:</b>	±0,003 % RO/°C
<b>Temperature effect on output:</b>	±0.003 % output/°C
<b>Rated output RO:</b>	2.040 mV/V ±0.25 %
<b>Zero balance:</b>	±2 % RO
<b>Insulation resistance:</b>	> 4 G Ohm
<b>Input resistance:</b>	350 ±5 Ohm
<b>Output resistance:</b>	350 ±0.5 Ohm
<b>Recommended input:</b>	5 Vdc/ac
<b>Maximum supply voltage:</b>	18 Vdc/ca
<b>Tolerance of shunt calibration values:</b>	±0.25 %

All indicated data may be changed without notice.  
 All the measures indicated are expressed in millimeters (mm).



All indicated data may be changed without notice.  
 All the measures indicated are expressed in millimeters (mm).



All indicated data may be changed without notice.  
 All the measures indicated are expressed in millimeters (mm).